

garage door automation

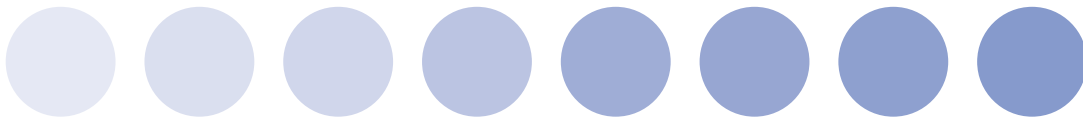


myQ





Features



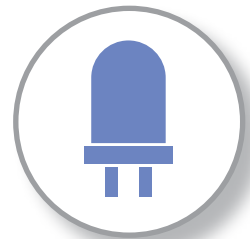
Fast Opening

With an opening speed of max 200 mm/s, this drive is the absolute top performer.



Long-Life

Long-life LEDs without warm-up phase. Significantly lower CO² emissions and no use of heavy metals or mercury in the manufacturing process.



Sustainable

The low stand-by consumption contributes to sustainability compared to standard garage door drives.



Secure

Security+ 2.0: patented wireless technology: the most powerful that Auto-Over has ever offered.



Quiet

The drive is quiet and calm thanks to a DC motor and the tooth belt.



Quick & Simple

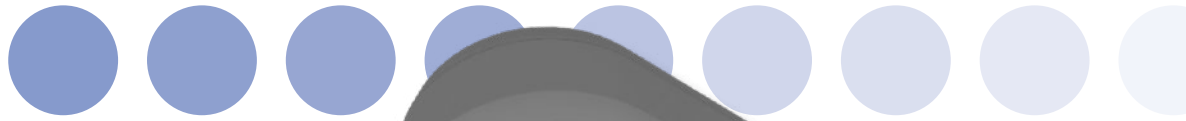
Quick and simple to install.





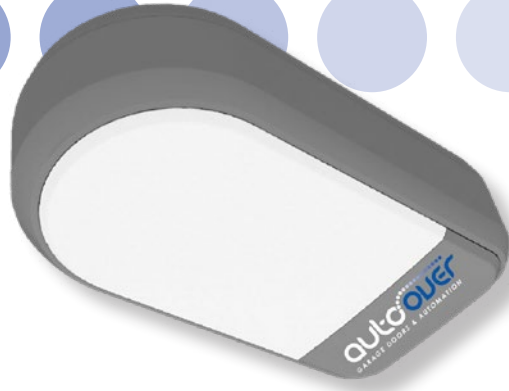
Modern design paired with cutting edge technology. Our garage door drive combines sophisticated product design with the highest quality standards.

What's in the box?



1 x Garage Door Opener

Reliable and quiet garage door drive in a modern design.



2 x 4-Channel Handheld Transmitters

Controls up to four drives. Compact and quick access.



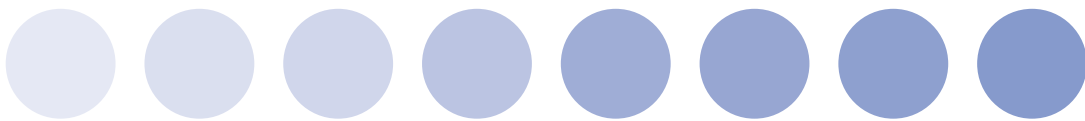
1 x Wireless Remote Control Button

Controls up to two drives. Conveniently open and close the garage door without a remote control or key. Simple, wireless installation.





Design meets technology



Key Points



- Max traction force 750N
- Max speed 200 mm/s
- Max door width/door height: 5,000 mm/2,300 mm
- Max door weight/ door surface: 125kg/11.5 m²
- Lighting: energy-efficient, long-lasting, environmentally friendly LED lighting
- Standby consumption: 0.8 W stand-by (LED switches on as soon as the drive is activated and switches off automatically after 2.5 minutes)
- Soft start and soft stop
- High-quality casing in dark grey
- The door can be programmed to automatically close at a set time

Drive



- drive with 24 V DC
- transformer overload protection
- lifetime lubrication
- working temperature: -30°C to 55°C

Supply



- 230-240 V AC
- 50/60 Hz voltage
- 0.8 W standby consumption
- 80 cm supply cable (Euro flat plug)



Mechanics



- Reliable and quiet toothed belt drive
- Automatic force adjustment
- Electronic limit switch for an easy installation
- Maintenance-free operation thanks to toothed belt
- 90° rotation of the drive head allows space-saving variability

Safe



- Standard-conform/CE
- External emergency release (optional)
- Automatic locking of the slide mechanism
- Safety return when closing
- Safety return when opening
- Connection for flashing light
- Automatic closing can be programmed (in connection with installed light barrier)



4-Channel Handheld Transmitters





myQ allows you to control and monitor your smart home from anywhere in the world!

*Requires a light barrier for safe remote operation.



Smart Home Option

Connects the garage door drive to the Internet via the router, thus allowing it to be integrated in a smart home.



myQ Box



Light Barrier



Set up myQ in four steps

1. Create a connection

Connect the network cable to the router. Connect the Internet gateway to the power supply. When the Internet gateway has connected to the Internet, the green light will light up permanently.



2. Download the myQ app for free

The myQ App is available for free in the App Store and Google Play Store.

3. Create an account

The myQ App is available for free in the App Store and Google Play Store.



4. Register your gateway

Enter your Internet gateway's serial number. It is located on the bottom of your device.



Accessories

Wireless code lock

Controls the garage door by entering a 4-digit numerical code. You can set a temporary code, too.



External emergency release

1.8 m cable, stainless steel cover plate, for doors up to a thickness of 50 mm, secure connection between cable and carriage, includes lock, socket, clamps and 2 keys.



Fail-safe light barrier

Compatible with all Auto Over outdoor and garage door drives. IP44, 15 m range, 2-wire system with Auto Over signal.



Multifunctional wall switch

Wired wall switch with 4 functions: open/close door, switch light on/off, switch receiver on/off and setup additional remote transmitters without having to climb the ladder to the drive head.



Emergency release door handle

Used to unlock a manual opening from outside, by using the door handle and lock. Contains: steel cable, mounting accessories and instructions. The rope length is 2.5 m.



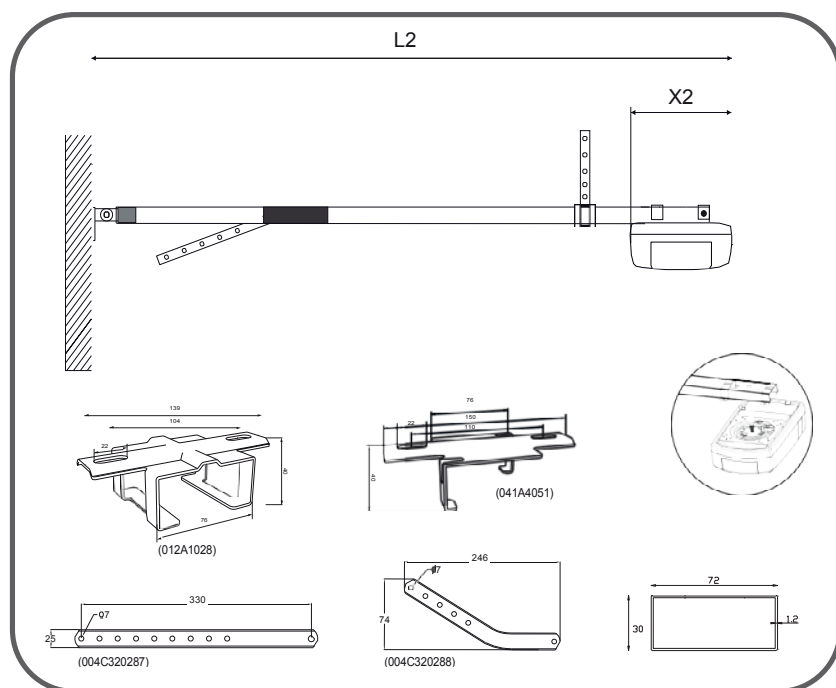
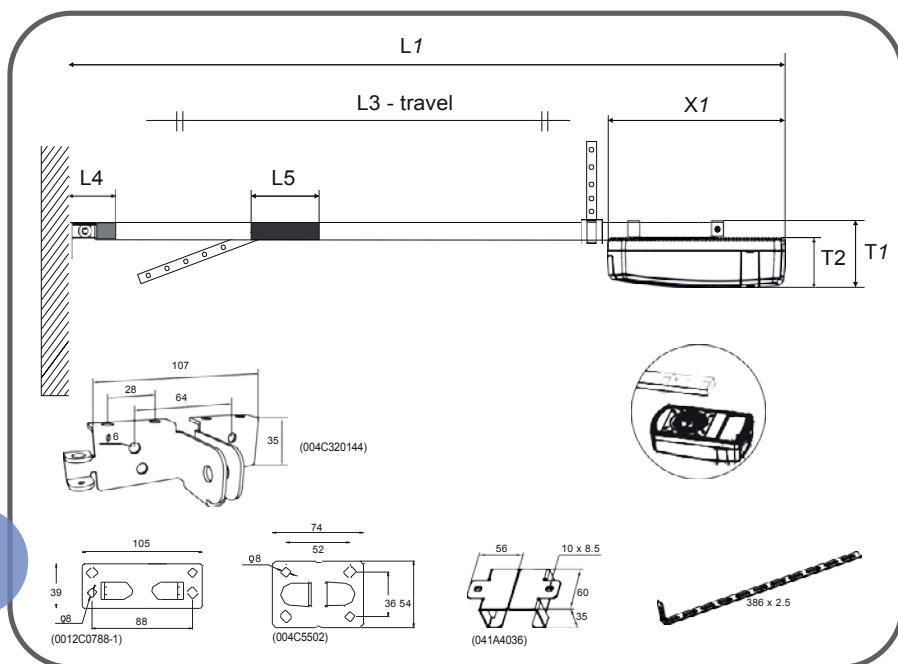
MyQ remote-LED-light

Very bright LED light with 1,500 lumens for flexible positioning. Controllable via handheld transmitter or smartphone via the myQ app. Control via the MyQ app requires a connection to the WIFI garage door drive or to the MyQ gateway (828EV).



technical specifications

Drive	C-rails model	Rail (mm)	L1 (mm)	L2 (mm)	L3 (mm)	L4 (mm)	L5 (mm)	X1 (mm)	X2 (mm)	T1 (mm)	T2 (mm)	tooth belt (mm)	
PL750EV	8023CR5	2998	3183	3053	2498	180		165	380	210	142	110	5688
	8323CR5	2998	3183	3053	2498	180		165	380	210	142	110	5688
	8025CR5	3187	3372	3242	2687	180		165	380	210	142	110	6072
	8225CR5	3187	3372	3242	2687	180		165	380	210	142	110	6072
	810CR5	698	Expansion for 8023CR5 / 8323CR5										7096



Auto-Over, Scot Lane,
Blackrod, Bolton, BL6 5SG
Tel: 01942 832355
www.auto-over.co.uk

Guarantees

All operators are guaranteed against any form of manufacturing defect for a period of 2 years for mechanical elements, motors and transformers and for a period of 2 years for other electronic and radio equipment. March 2022